

WARING COMMERCIAL®

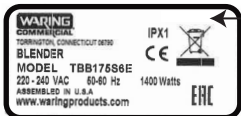
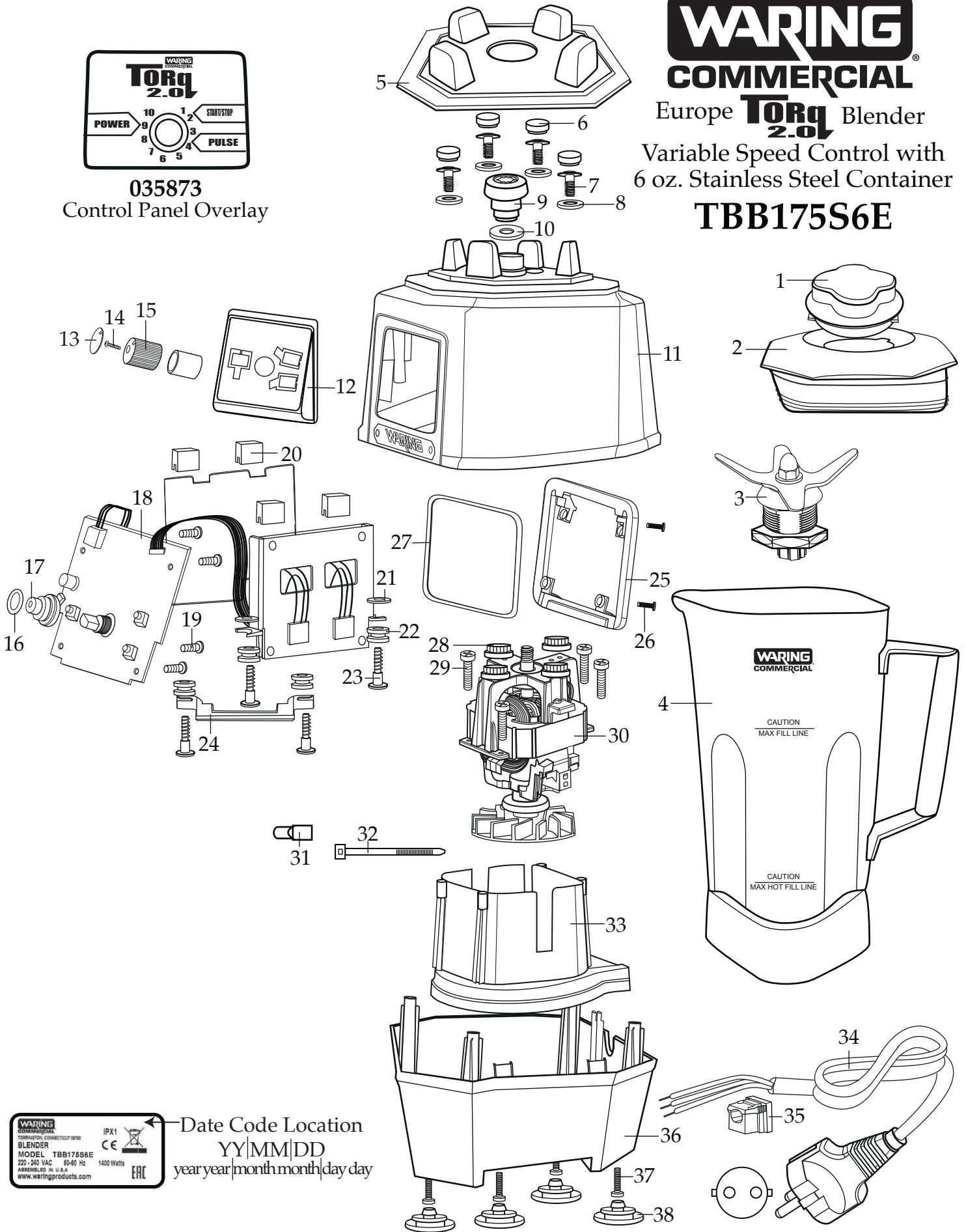
Europe **TORq** 2.0 Blender

Variable Speed Control with
6 oz. Stainless Steel Container

TBB175S6E



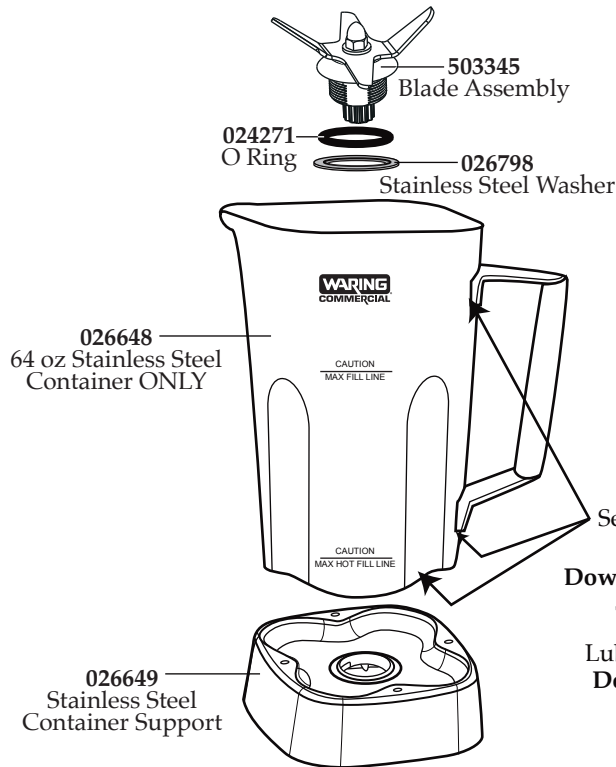
035873
Control Panel Overlay



Date Code Location
YY|MM|DD
year year | month month | day day

Illustration#	Part#	Description
1	026425-E	Eastman Jar Lid Cover
2	026424-V	Vinyl Jar Lid
3	032483	Blending Assembly Kit
4	503346	64 oz. Stainless Steel Container Complete with Blending Assembly
5	035885	Jar Pad
6	035085	Hole Plug (4 required)
7	034275	Sems (4 required)
8	034273	B Gasket (4 required)
9	037034	Drive Coupling 2 Gen.
10	037033	Coupling Washer
11	503609 503460-175-E	Top Housing with Badge <i>(on units after 9/28/2022)</i> Top Housing Assembly
12	035281	Control Housing Front Bezel <i>(on units after 9/28/2022)</i>
13	035757	Knob Cover
14	026267	Screw
15	036498	Speed Control Knob
16	018389	O Ring
17	036499	Speed Control Knob Insert
18	035420	Control Panel
19	035090	Screw (4 required)
20	034900	PCB Cushion (4 required)
21	013604	Washer (4 required)
22	034904	Rubber Grommet (4 required)
23	034902	Sems (4 required)
24	035894	Control Board Bracket
25	035237	Control Housing Back Bezel <i>(on units after 9/28/2022)</i>
26	035090	Screw (4 required)
27	038576	Top Housing Control Seal <i>(on units after 9/28/2022)</i>
28	034272	A Gasket (4 required)
29	034274	Screw (4 required)
30	035817	Chiaphua Motor with Sensor
31	012409	Small Crimp Connectors (6 required)

Illustration#	Part#	Description
32	013731	Cable Ties (6 required)
33	503483	Motor Housing with Dampeners
34	017948	Cordset
35	033619	Strain Relief
36	035079 503480	Bottom Housing ONLY Bottom Housing with Feet
37	034274	Screw (4 required)
38	035088	Foot (4 required)



Notes:
Sealant applied all round these indicated areas.
Dow Corning Sealant RTV 733
Torque 100-125 in/lbs.
Lubricant applied to O Ring
Dow Corning 200 (R) Fluid

